

VADER 210



Industrial High Bay IP65 luminaire. Diffuser-high quality lens optics. Top quality SMD LED modules with colour consistency MacAdams 3, extensive portfolio of lumen ranges, CCTs and spectra. Variety of drivers: standard EVG on/off or DALI. Mounting on suspension set for any type of ceiling. Body is made of aluminium. Standard colour RAL 9005M, other colours on request. Variety of beam angles, lumen outputs and drivers allows to use this luminaire in different types of lighting projects.

Luminous flux & Luminaire Power tolerance up to 10%. System power consumption depends on components used. Luminous efficacy depends on type of LED's, electronics, optics and diffuser. The most up to date technical parameters can be found on our website and in database of LDT files.

Lighting direction



PDF datasheet:



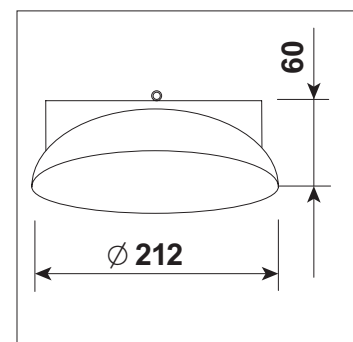
VADER 210

Mounting:	Suspended / surface mounted
Body material:	Aluminium
Colour:	Standard black RAL 9005M, other RAL colours on request
Lumen output:	Standard up to 7000 lm, any other on request
LED module:	Signify (Philips), Tridonic or equivalent SMD LED module
Colour temperature:	3000/4000K, other on request
Colour Rendering:	CRI>80 in standard, other on request
Driver:	EVG on-off, DALI, other on request
Wireless control:	N/A
Daylight/Occupancy sensor:	N/A
Emergency unit:	N/A
Operating temperature range:	-25°C ... +45°C
IP Class:	IP65 in standard
Power:	220-240V 50/60Hz
Lighting direction:	Direct lighting
Light distribution:	Symmetric
Optics:	Lens
Beam angle:	60°/90°
Diffuser:	ClearPMMA
Warranty:	5 Years standard warranty

VADER 210 surface mounted luminaire

VADER 210 PND suspended luminaire

All current index numbers, lumen outputs, power consumption and many other technical information are available in our 2024 pricelist.



Basic dimensions